



AMERICAN STANDARD

ROYCROFT™

ONE-PIECE TOILET



D22010C101.XXX

FEATURES

- Vitreous china
- Elongated bowl design
- High efficiency (1.28 gpf/ 4.8 Lpf)
- 4" Flush valve with chemical resistant flapper
- Siphon action jetted bowl with a 2-1/8" trapway
- Playful and flowing one-piece design
- Normal bowl height 15"
- Includes a high quality Duroplast slow-close toilet seat
- 9-1/4" x 8-1/4" water surface area
- 12" Rough-in
- Chrome metal trip lever

DIMENSIONS

NOMINAL DIMENSIONS

29-11/16" x 15-3/8" x 27-11/16" (754 x 391 x 703 mm)

COLORS/FINISHES

Canvas White (415)

TOILET SEAT (INCLUDED)

5011A10G.415 Elongated, Slow Close, Topmount, Easy Lift Off, Telescoping — Canvas White (415)

OPTIONAL TRIP LEVER/FINISHES

738797-100.XXX0A

Polished Nickel (008)

Satin Nickel (295)

COMPLIANCE CERTIFICATIONS

Meets or Exceeds ASME A112.19.2-2008/CSA B45.1-08

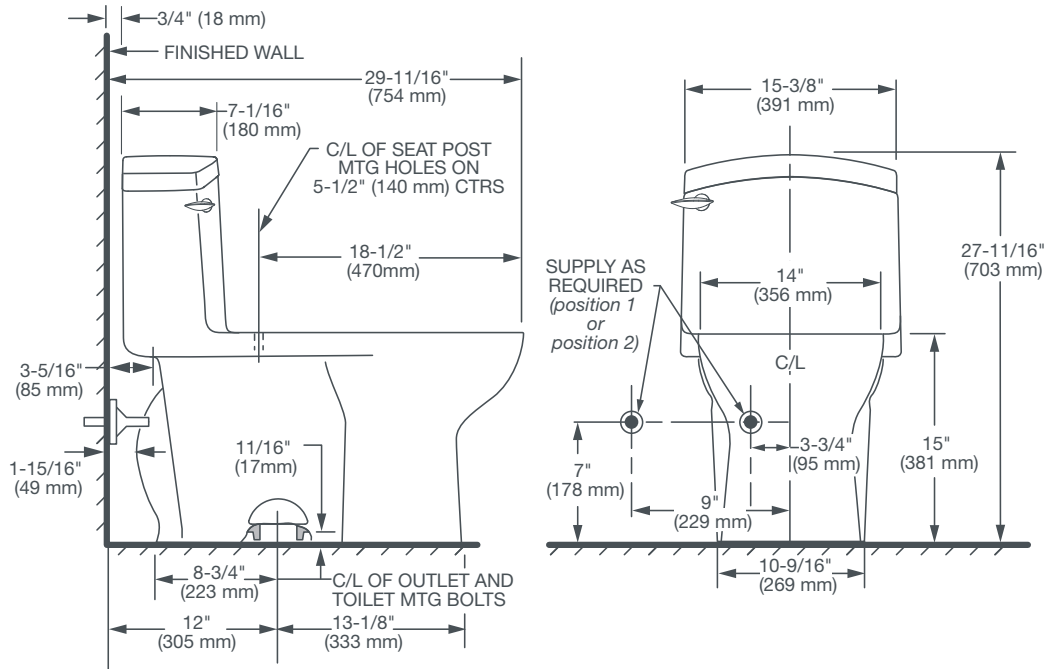


Meets the Americans with Disabilities Act Guidelines and ANSI A117.1 Requirements for Accessible and Usable Building Facilities-Check Local Codes.



ROUGH IN DIAGRAM SHOWN
ON REVERSE SIDE

ROYCROFT™ ONE-PIECE TOILET



NOTES:

This toilet is designed to rough-in at a minimum dimension of 12" (305mm) from finished wall to C/L of outlet.

Supply not included with fixture and must be ordered separately.

* Dimensions shown for location of supply is suggested.

IMPORTANT:

Dimensions of fixtures are nominal and may vary within the range of tolerance established by ANSI Standard A112.19.2.

These measurements are subject to change or cancellation. No responsibility is assumed for use of superseded or voided pages.