

INSTALLATION INSTRUCTIONS

Ashbee™ Pressure Balance Tub/Shower Valve Trim

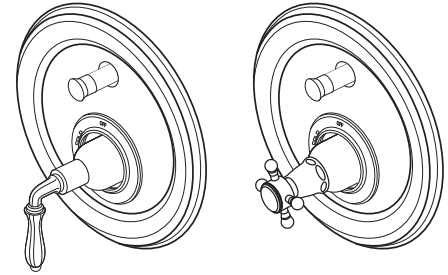
**Cross Handle
Model D35101.640**

**Lever Handle
Model D35101.600**



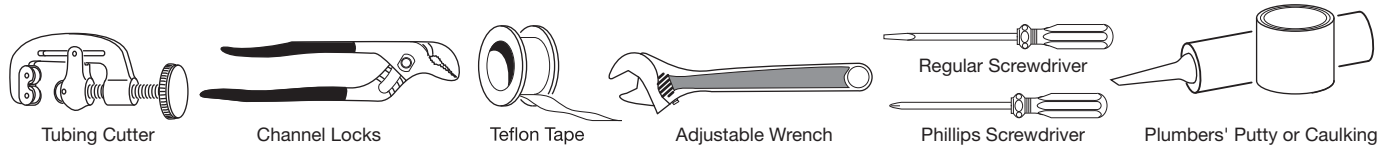
AMERICAN STANDARD

*Thank you for selecting DXV by American Standard.
To ensure that your installation proceeds smoothly,
please read these instructions carefully
before you begin.*



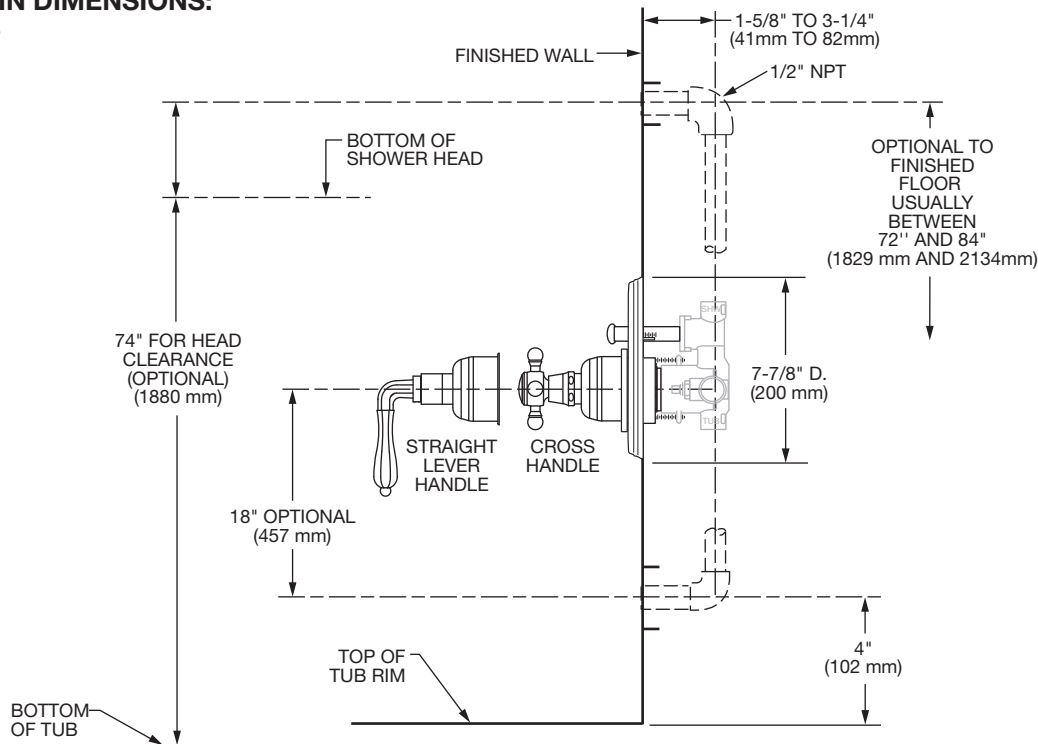
RECOMMENDED TOOLS AND MATERIALS

Most of the procedures require the use of common tools and materials, which are available from hardware and plumbing, supply stores. It is essential that the tools and materials be on hand before work is begun.



ROUGHING-IN DIMENSIONS:

• For reference



SAVE FOR FUTURE USE

In the United States:

DXV by American Standard
One Centennial Avenue
Piscataway, New Jersey 08855
Attention: Director of Customer Care

For residents of the United States, warranty information may also be obtained by calling the following toll free number: (800) 227-2734
www.DXV.com

In Canada:

DXV by American Standard
5900 Avebury Road
Mississauga, Ontario
L5R 3M3
Canada

Toll Free: 1-800-387-0369
Local: 905-306-1093
Fax: 1-800-395-1498
www.DXV.ca

In Mexico:

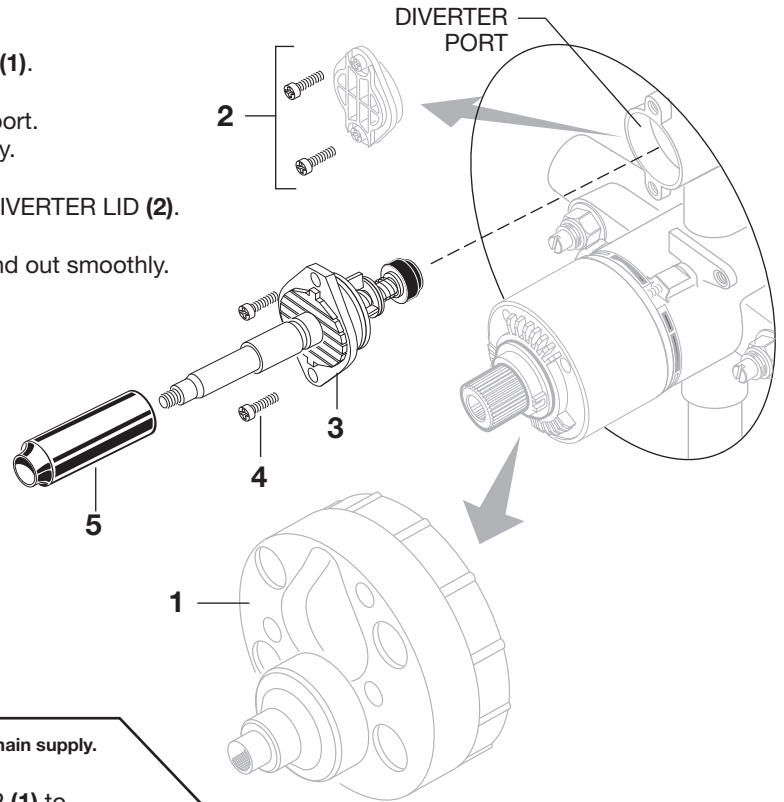
DXV by American Standard
Via Morelos 330
Col. Santa Clara Coatitla
Ecatepec, Estado de México 55540

Toll Free: 01-800-8391200
www.DXV.mx

1 INSTALL DIVERTER

CAUTION Turn off water at main supply.

- After finished tiling the wall, remove PLASTER GUARD (1). Remove two screws that secure the DIVERTER LID (2) and remove Lid. Inspect the inside surface of diverter port. Diverter port must be free of any dirt. Clean if necessary.
- Install DIVERTER (3) with SCREWS (4) removed from DIVERTER LID (2).
- Operate DIVERTER (3). DIVERTER (3) should slide in and out smoothly.
- Push on DIVERTER COVER (5).



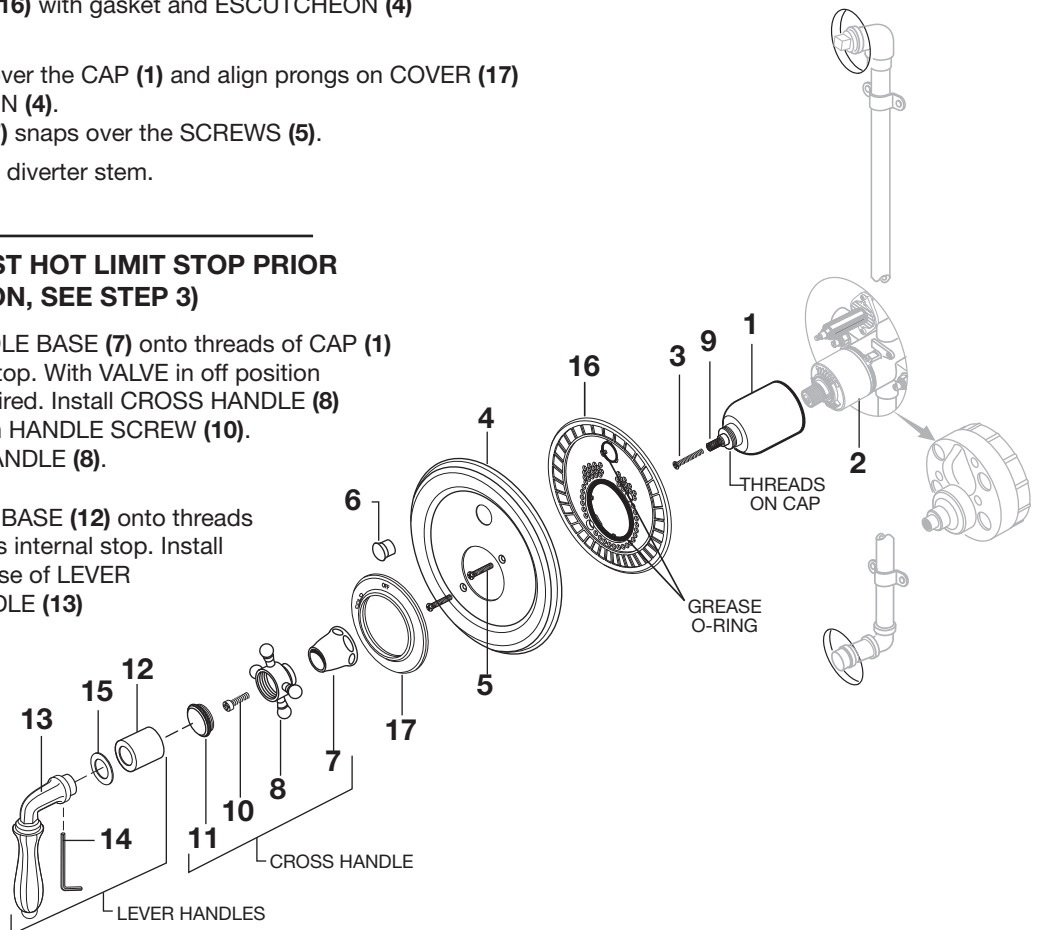
2 INSTALL TRIM

CAUTION Turn off water at main supply.

- Push CAP (1) onto VALVE CARTRIDGE (2). Secure CAP (1) to VALVE CARTRIDGE (2) with SCREW (3) for LEVER HANDLE only. (Spline in CAP (1) must fully engage spline on cartridge stem).
- Mount ESCUTCHEON HOLDER (16) with gasket and ESCUTCHEON (4) to valve body with SCREWS (5).
- Push the COVER (17) as shown over the CAP (1) and align prongs on COVER (17) with screw holes in ESCUTCHEON (4). Important! Make sure COVER (17) snaps over the SCREWS (5).
- Thread DIVERTER KNOB (6) onto diverter stem.

2a INSTALL HANDLE (ADJUST HOT LIMIT STOP PRIOR TO HANDLE INSTALLATION, SEE STEP 3)

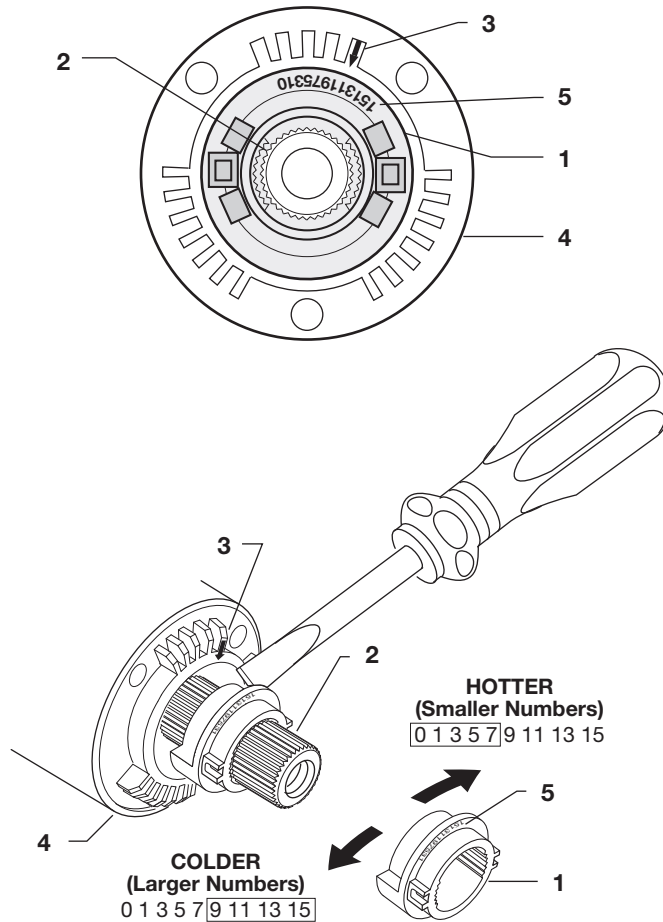
- **For Cross Handle:** Thread HANDLE BASE (7) onto threads of CAP (1) until seated against its internal stop. With VALVE in off position align CROSS HANDLE (8) as desired. Install CROSS HANDLE (8) onto VALVE STEM (9) and tighten HANDLE SCREW (10). Insert INDEX (11) into CROSS HANDLE (8).
- **Lever Handles:** Thread HANDLE BASE (12) onto threads of CAP (1) until seated against its internal stop. Install FRICTION WASHER (15) onto base of LEVER HANDLE (13). Align LEVER HANDLE (13) and tighten set screw with HEX WRENCH (14) supplied with faucet to secure handle.



3 ADJUST HOT LIMIT STOP (MUST BE DONE PRIOR TO TRIM INSTALLATION)

By restricting *HANDLE* rotation and limiting the amount of hot water allowed to mix with the cold, the *HOT LIMIT SAFETY STOP (1)* reduces risk of accidental scalding. To set the maximum hot water temperature of your faucet, all you need to do is adjust the setting on the *HOT LIMIT SAFETY STOP (1)*.

- Turn *CARTRIDGE STEM (2)* to the OFF position (coldest setting) before making adjustment to *HOT LIMIT SAFETY STOP (1)*. Use a flat blade screwdriver to pry free the *HOT LIMIT SAFETY STOP (1)*. Pull forward and rotate counterclockwise one number to limit hot water temperature. Use *ARROW (3)* on *CARTRIDGE (4)* and *NUMBERS (5)* on *HOT LIMIT SAFETY STOP (1)* for indication.





AMERICAN STANDARD

Ashbee™ Pressure Balanced Tub/Shower Valve Trim

MODEL NUMBERS

Cross Handle D35101.640
Lever Handle D35101.600

Replace the "XXX" or "YYY" with appropriate finish code

POLISHED CHROME	100
BRUSHED NICKEL	144
PLATINUM NICKEL	150

