

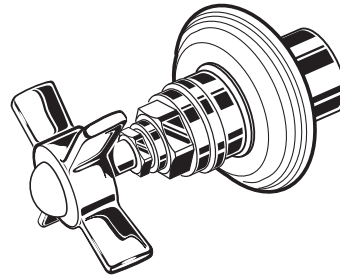
# INSTALLATION INSTRUCTIONS

## Landfair™ Cross Handle Trim Kit for 2 Way or 3 Way In-Wall Diverter Model D35107.430



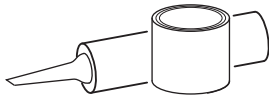
AMERICAN STANDARD

Thank you for selecting DXV by American Standard.  
To ensure that your installation proceeds smoothly,  
please read these instructions carefully  
before you begin.

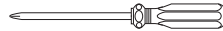


### RECOMMENDED TOOLS AND MATERIALS

Most of the procedures require the use of common tools and materials, which are available from hardware and plumbing, supply stores. It is essential that the tools and materials be on hand before work is begun.



Plumbers' Putty or Caulking



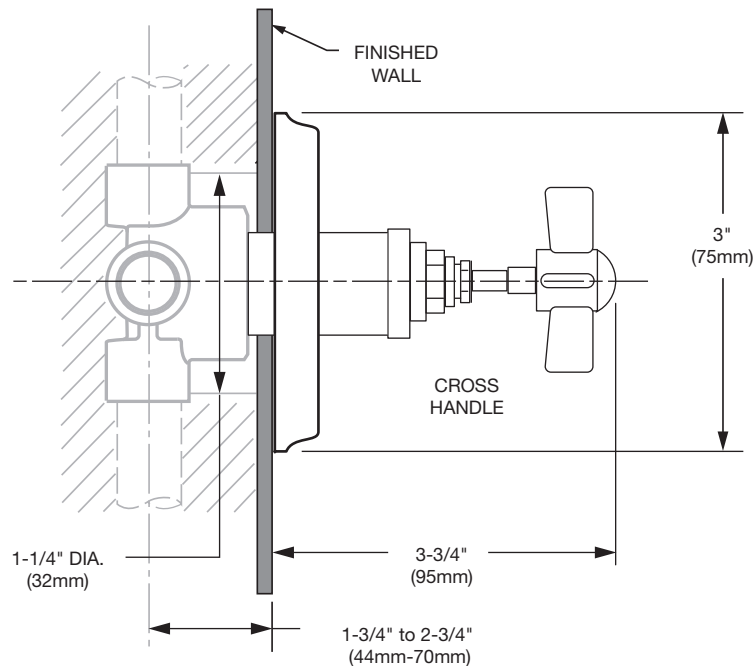
Phillips Screwdriver



Regular Screwdriver

### ROUGHING-IN DIMENSIONS:

- For reference



SAVE FOR FUTURE USE

#### In the United States:

DXV by American Standard  
One Centennial Avenue  
Piscataway, New Jersey 08855  
Attention: Director of Customer Care

For residents of the United States, warranty information may also be obtained by calling the following toll free number: (800) 227-2734  
[www.DXV.com](http://www.DXV.com)

#### In Canada:

DXV by American Standard  
5900 Avebury Road  
Mississauga, Ontario  
L5R 3M3  
Canada

Toll Free: 1-800-387-0369  
Local: 905-306-1093  
Fax: 1-800-395-1498  
[www.DXV.ca](http://www.DXV.ca)

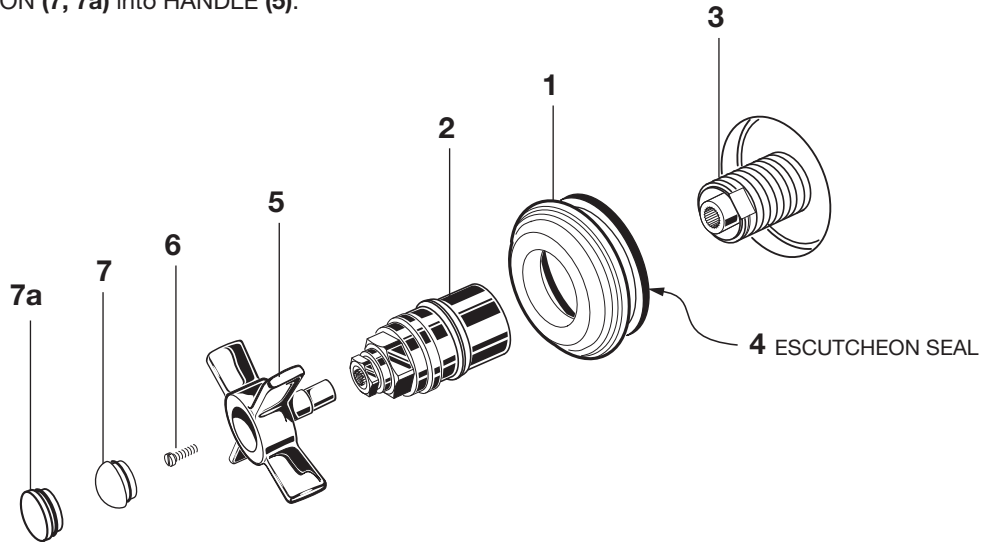
#### In Mexico:

DXV by American Standard  
Via Morelos 330  
Col. Santa Clara Coatitla  
Ecatepec, Estado de México 55540

Toll Free: 01-800-8391200  
[www.DXV.mx](http://www.DXV.mx)

**1 INSTALL HANDLE**    **CAUTION**    Turn off hot and cold water supplies before beginning.

- Install ESCUTCHEON (1) onto ESCUTCHEON HOLDER (2). Thread ESCUTCHEON HOLDER (2) with ESCUTCHEON (1) onto DIVERTER VALVE (3) until ESCUTCHEON (1) is flush against finished wall. Make sure ESCUTCHEON SEAL (4) is in place.
- Align HANDLE (5) as desired and push into ESCUTCHEON HOLDER (2). Install HANDLE SCREW (6) and tighten.
- Push INDEX BUTTON (7, 7a) into HANDLE (5).



AMERICAN STANDARD

**Landfair™**  
**Cross Handle Trim Kit for**  
**2 Way or 3 Way In-Wall Diverter**

MODEL NUMBERS

**D35107.430**

Replace the "XXX" or "YYY" with appropriate finish code

POLISHED CHROME	100
CARBON BRONZE	110
PLATINUM NICKEL	150

